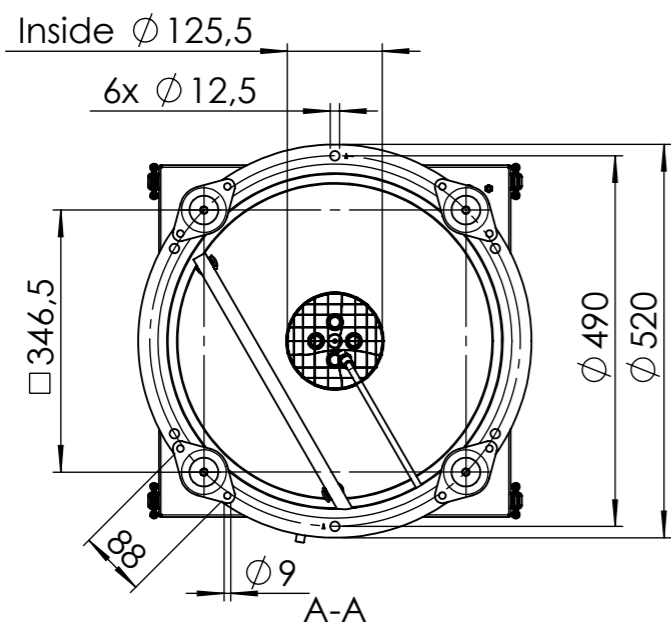
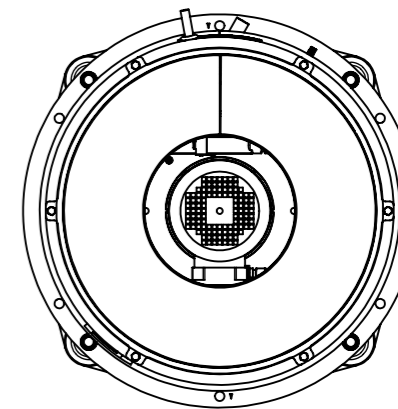
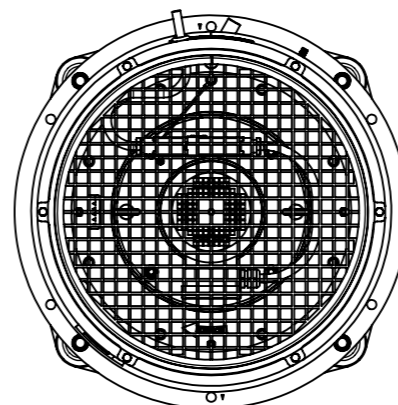
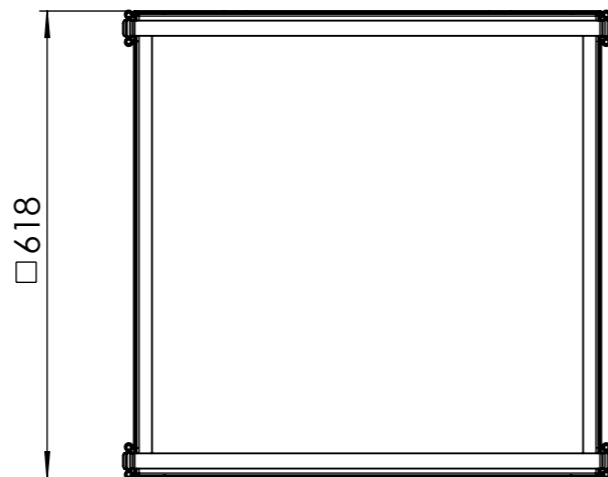
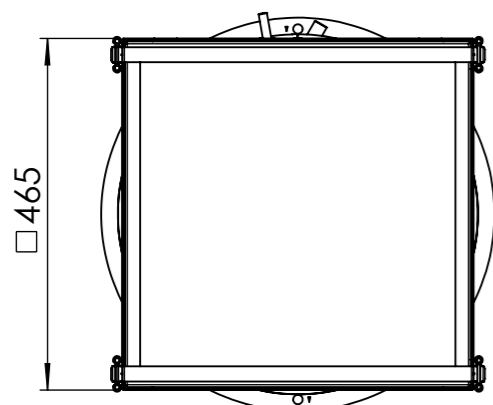
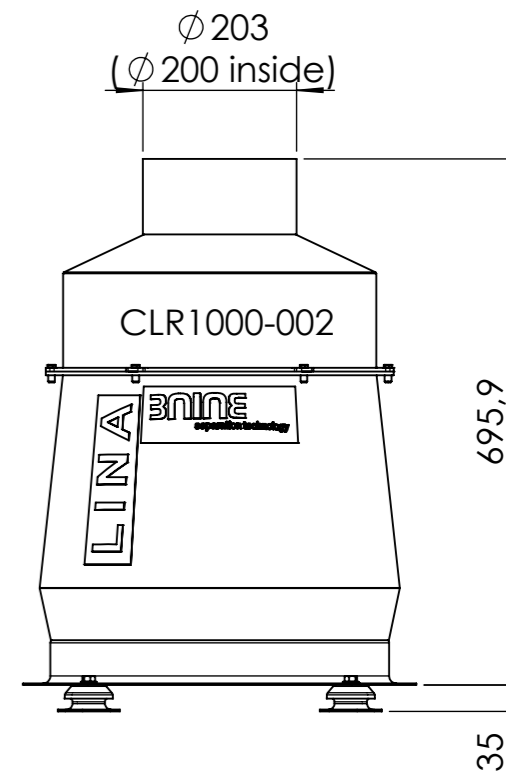
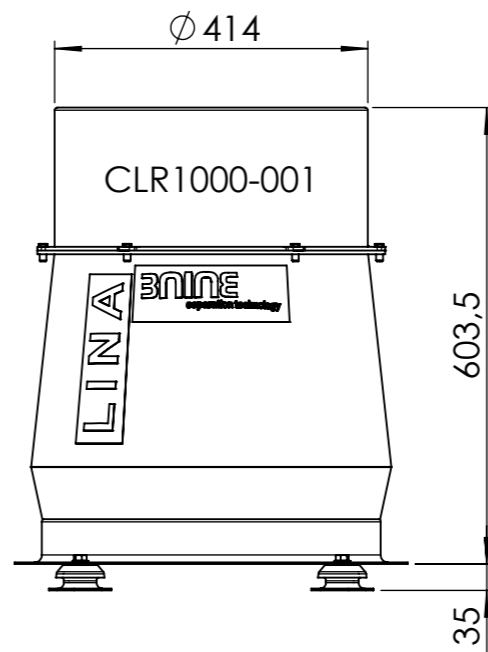
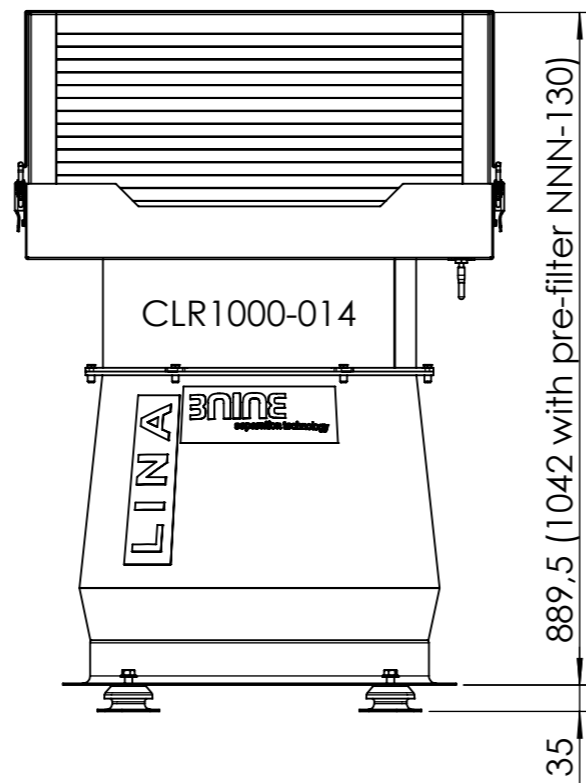
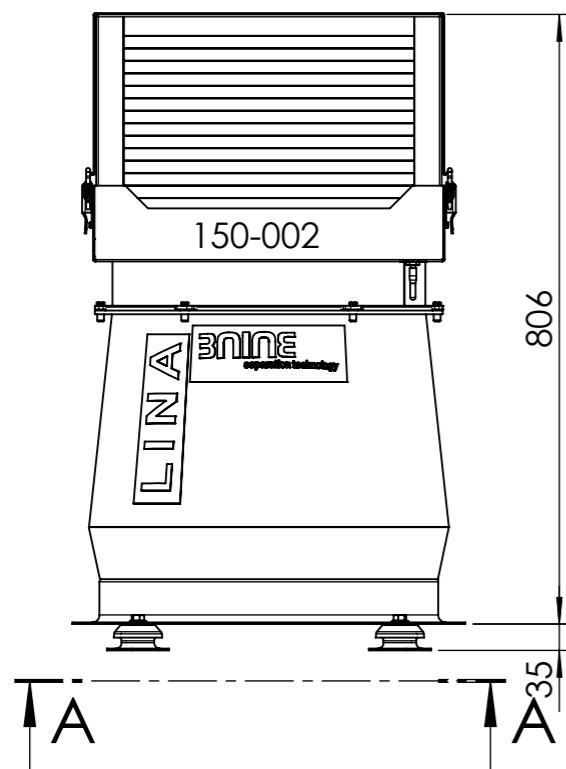


This document is property of 3nine AB and may not without our written permission be copied, imparted to a third party or used for any unauthorized purpose.



Surface conditioning	Heat treatment	Scale	1:10
General tolerance SS-ISO 2768	General roughness, Ra	Asm.	
Drawn 060927 Sign JSg	Denomination	<h2 style="margin: 0;">Lina alternatives</h2> <h3 style="margin: 0;">Dimension drawing</h3>	
Check. Sign			
	Article nr.	Drawing nr.	Sheet 1 of 1
		LA310-068	Mod. A

A B C D E F G H

6
5
4
3
2
1