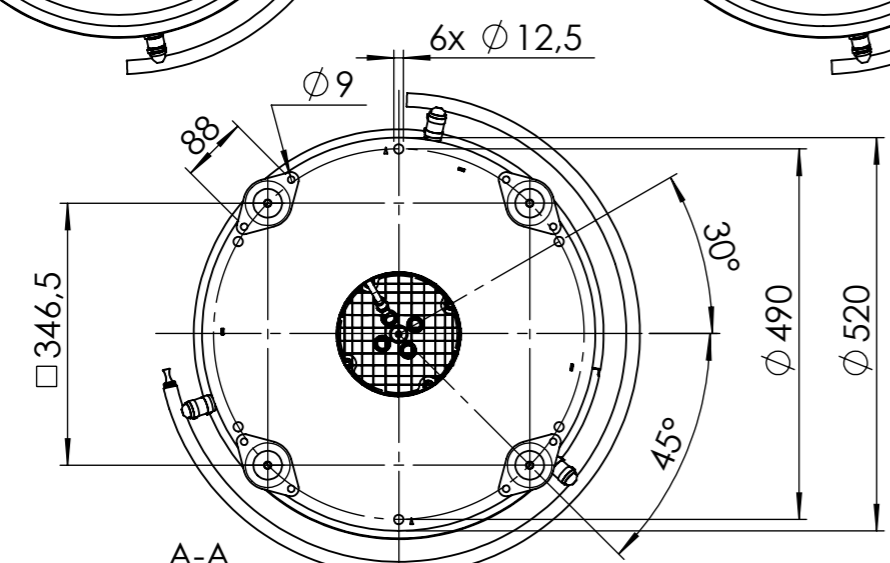
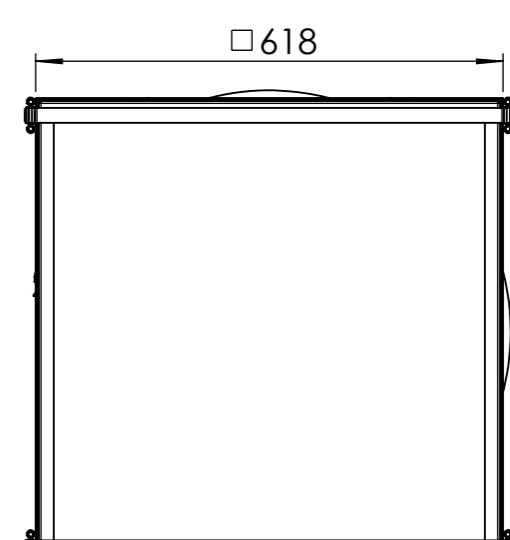
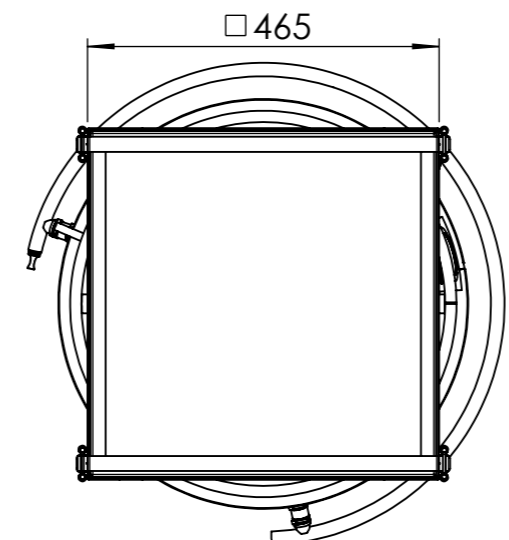
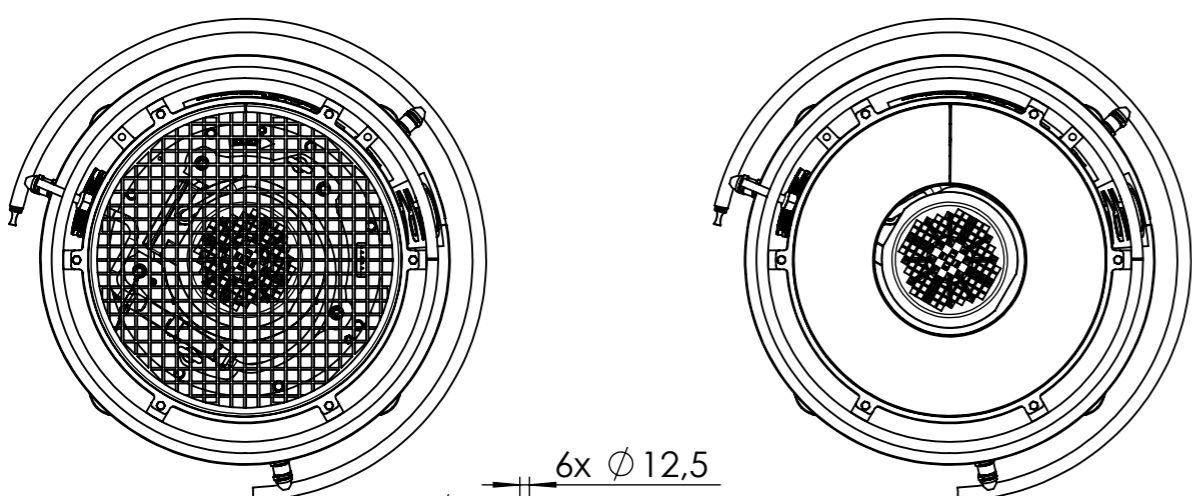
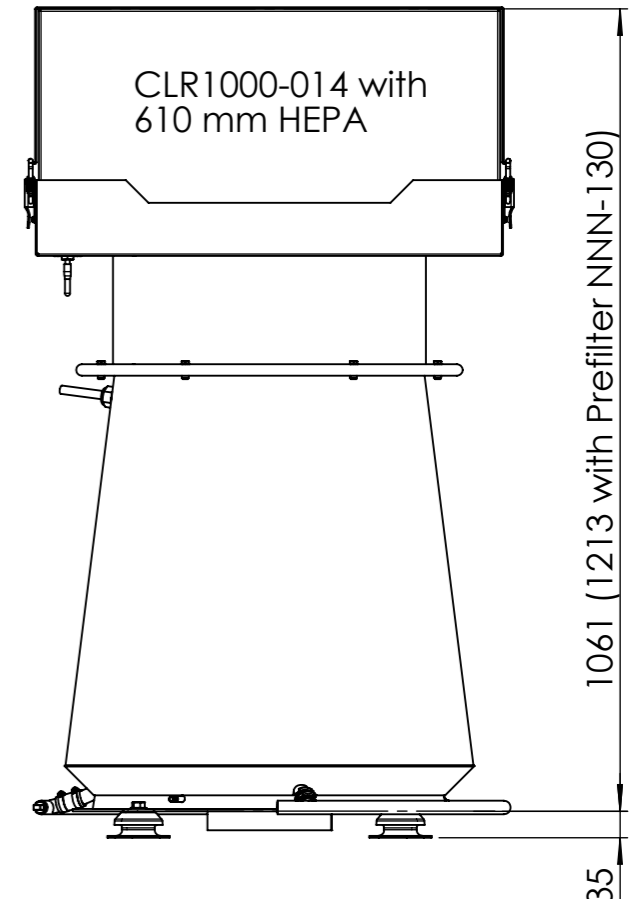
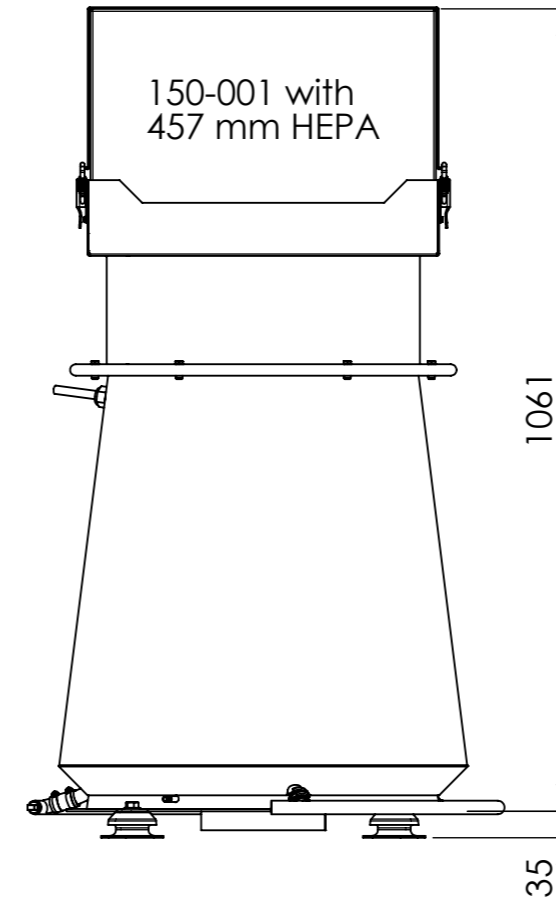
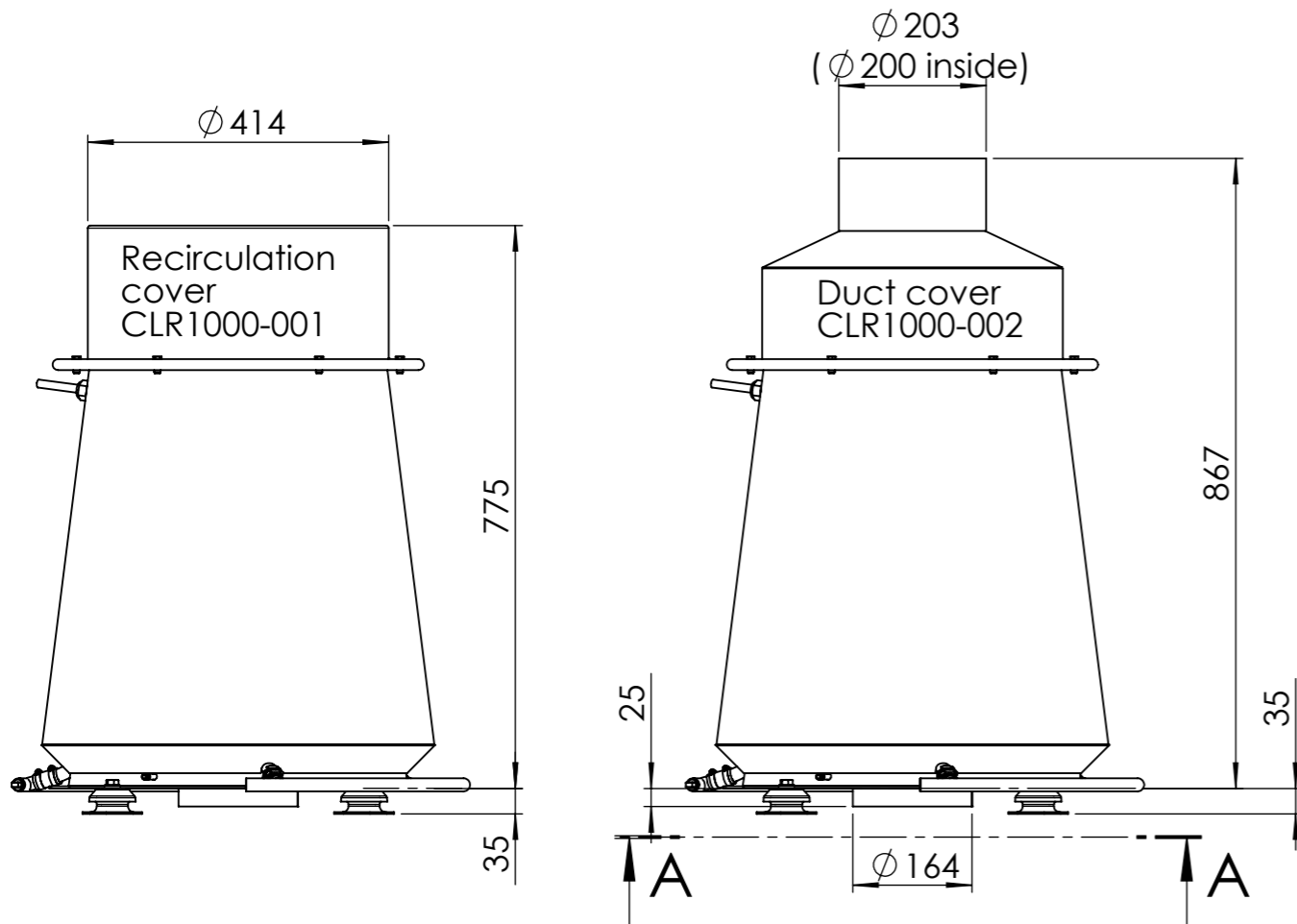


This document is property of 3nine AB and may not without our written permission be copied, imparted to a third party or used for any unauthorized purpose.



Surface conditioning	Heat treatment	Scale
General tolerance SS-ISO 2768	General roughness, Ra	Asm. 1:10
Drawn 061005 Sign JSg	Denomination	Clara alternatives Dimension drawing
Check. Sign		
3nine		Article nr.
		Drawing nr. Sheet 1 of 1 Mod. A
		EB310-058

A B C D E F G H

6
5
4
3
2
1