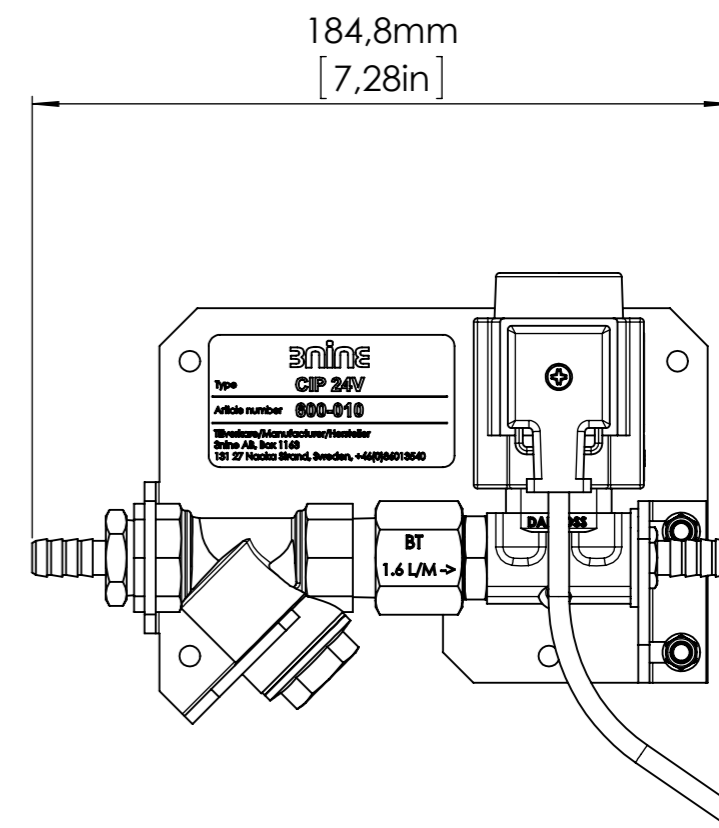
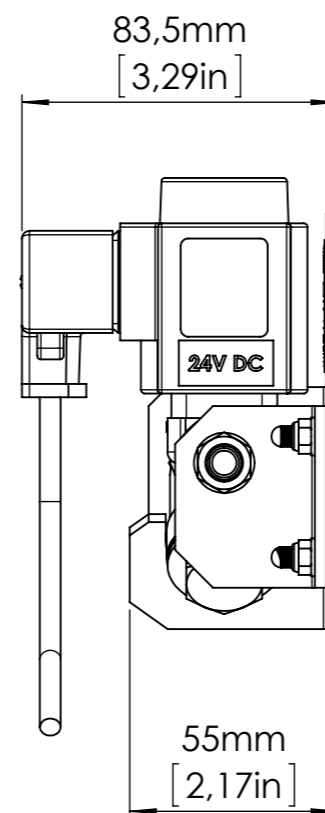
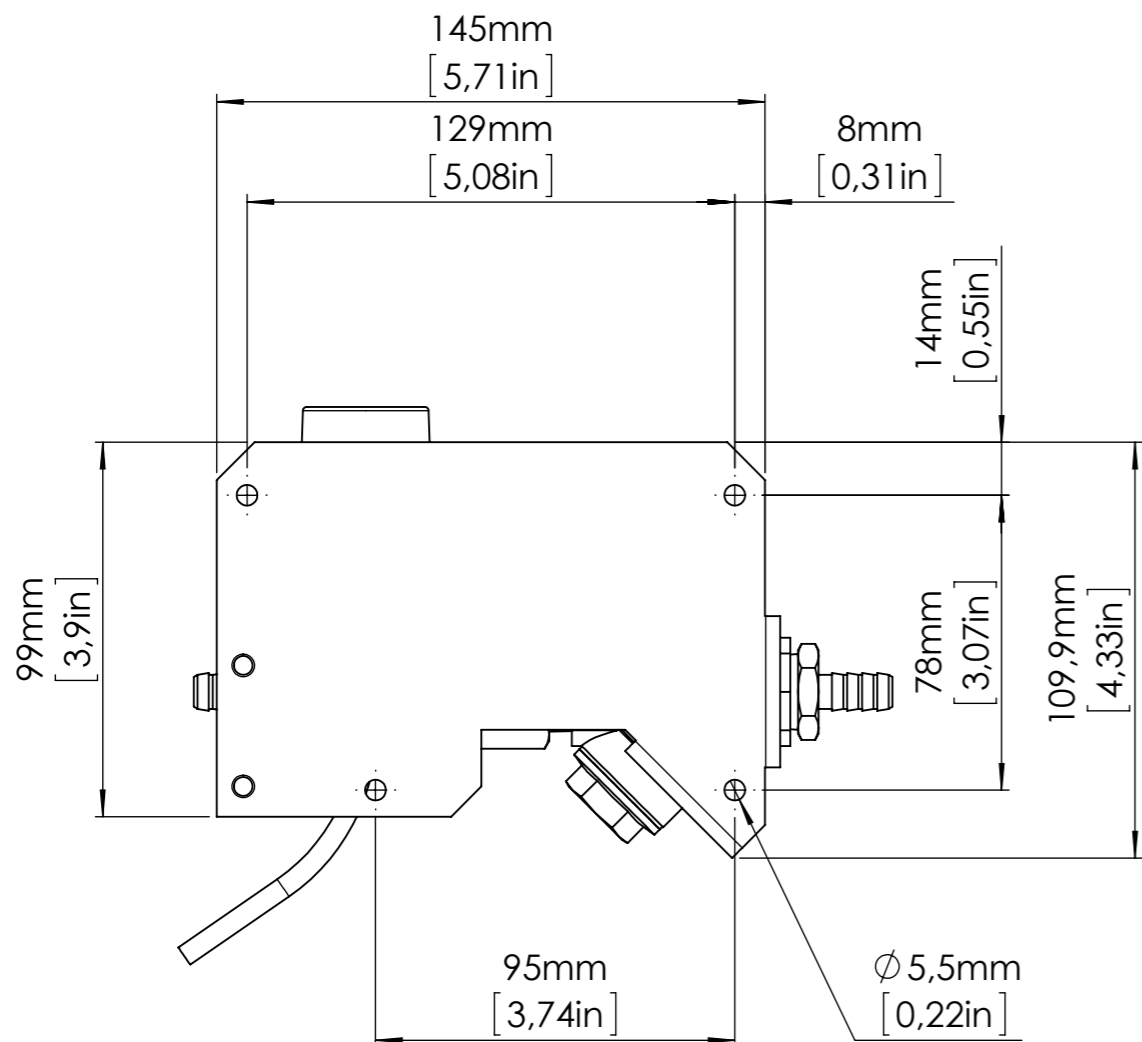


This document is property of 3nine AB, and may not without our written permission be copied, imparted to a third party or used for any unauthorized purpose.



|                                  |        |                       |     |  |                     |
|----------------------------------|--------|-----------------------|-----|--|---------------------|
| Surface conditioning             |        | Heat treatment        |     |  | Scale<br><b>1:2</b> |
| General tolerance<br>SS-ISO 2768 |        | General roughness, Ra |     |  |                     |
| Drawn                            | 130308 | Sign                  | JSg | <b>CIP 24V</b><br>Dimension drawing<br>Greenline |                     |
| Check.                           |        | Sign                  |     |  |                     |
| <b>3nine</b>                     |        |                       |     |  |                     |
| Article nr.                      |        | 600-010               |     | Drawing nr.                                      | DD600-010           |
|                                  |        |                       |     | Sheet 1 of 1                                     | Mod.                |

A B C D E F G H

6  
5  
4  
3  
2  
1