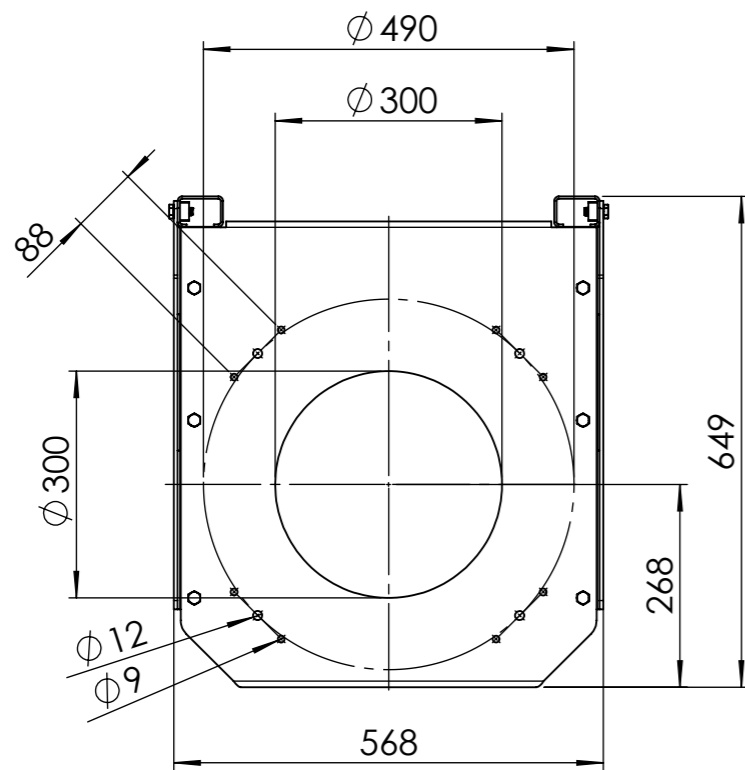
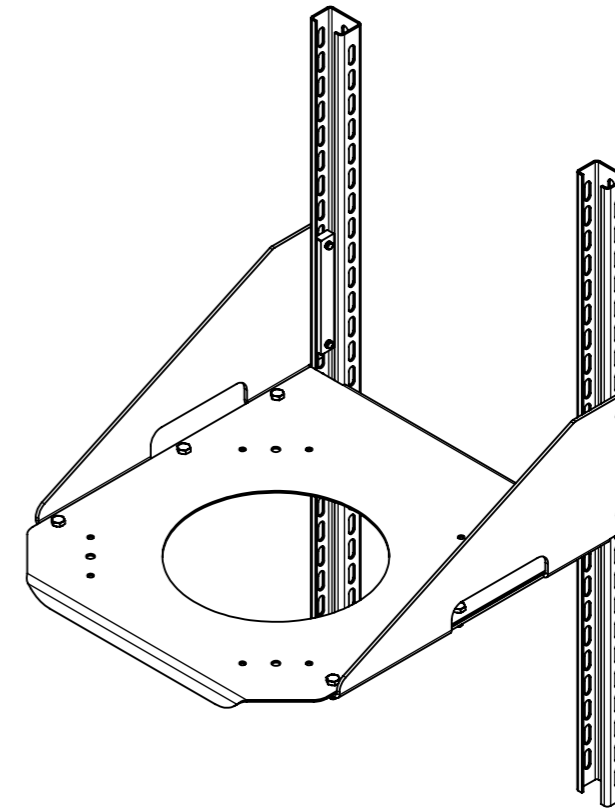
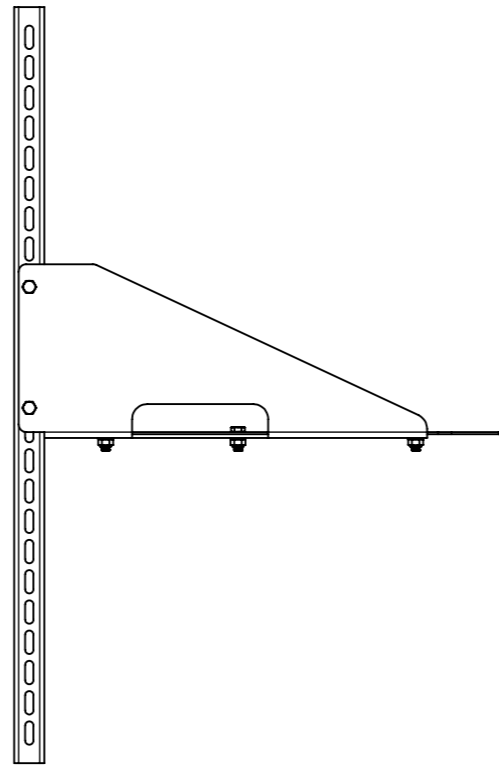
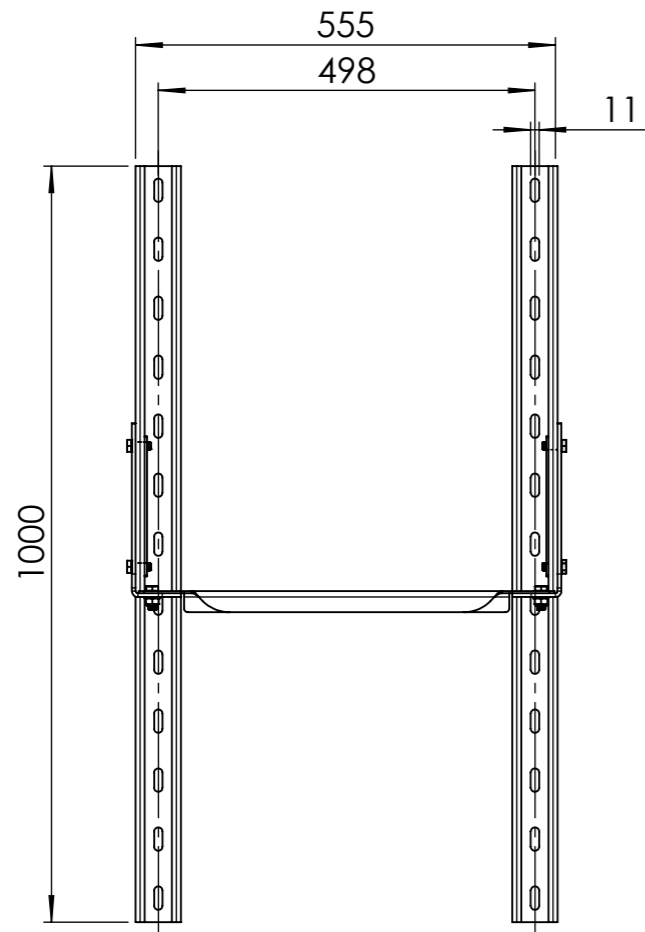


This document is property of 3nine AB, and may not without our written permission be copied, imparted to a third party or used for any unauthorized purpose.



Surface conditioning	Heat treatment	Scale
General tolerance SS-ISO 2768	General roughness, Ra	Asm. 1:10
Drawn 120323 Sign JSg	Denomination Wall rack assembly	
Check. Sign		
3nine	Article nr.	Drawing nr. Sheet 1 of 1 Mod.
	PA1000-008	DD PA1000-008

A B C D E F G H

6
5
4
3
2
1