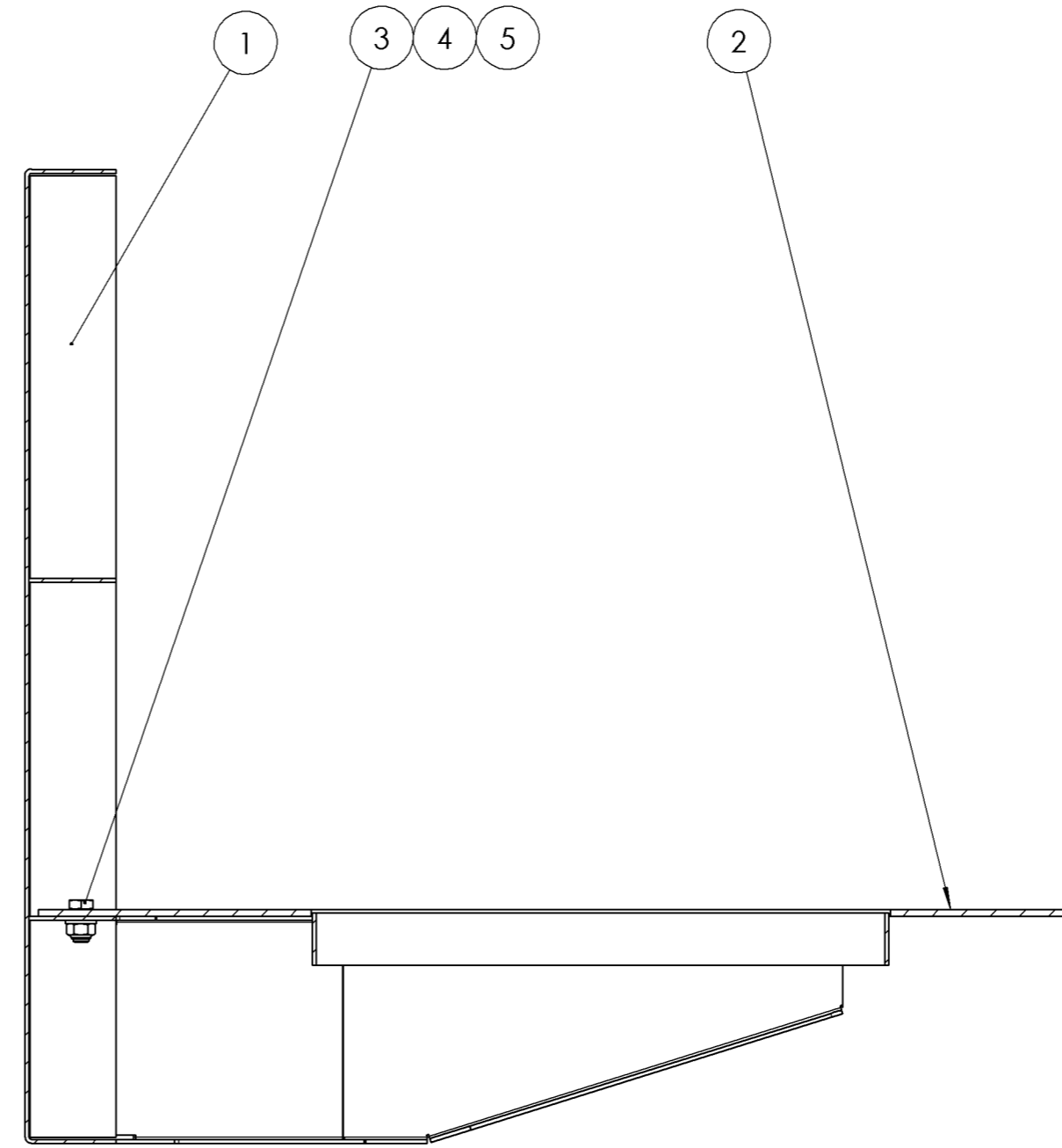
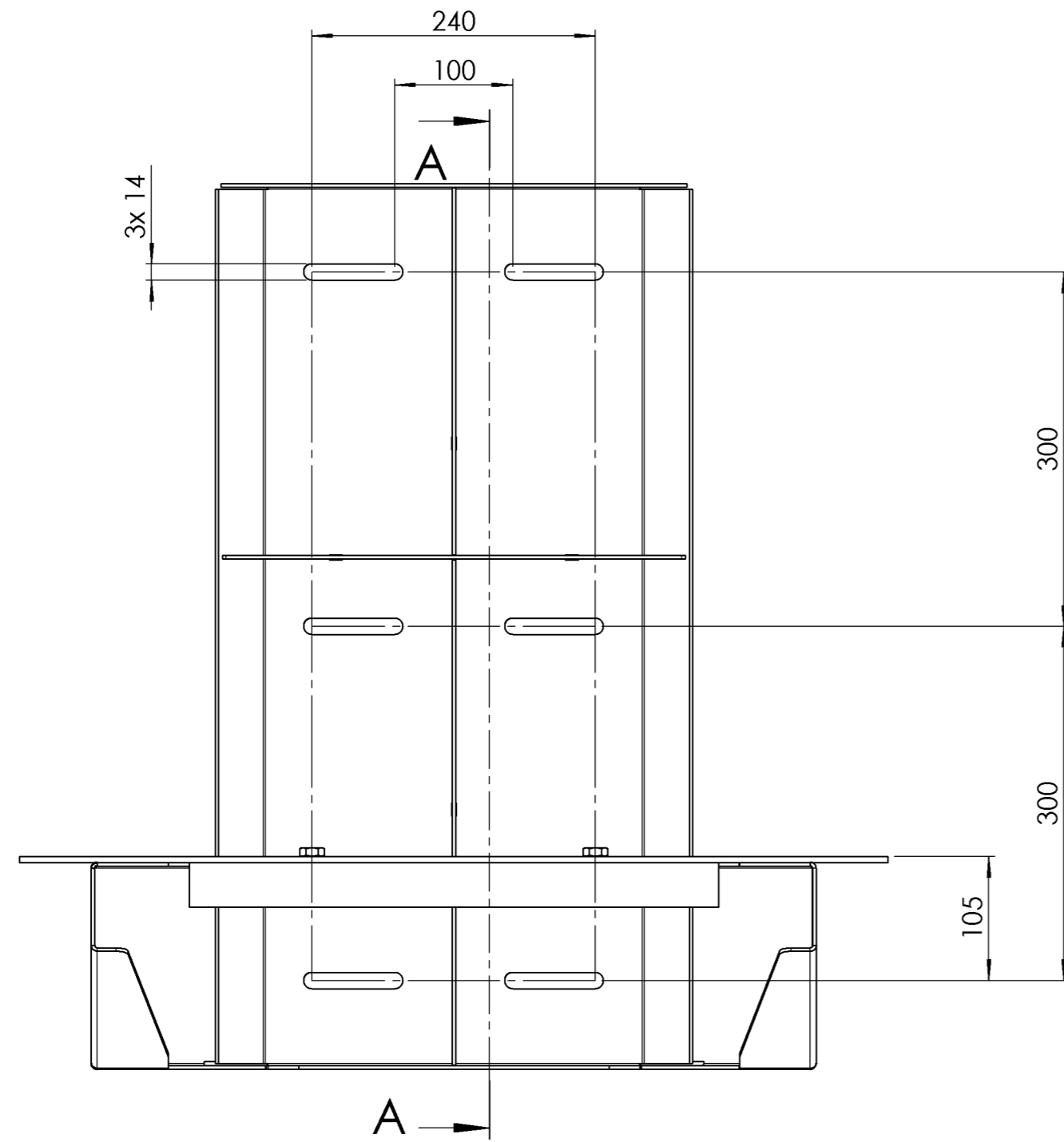
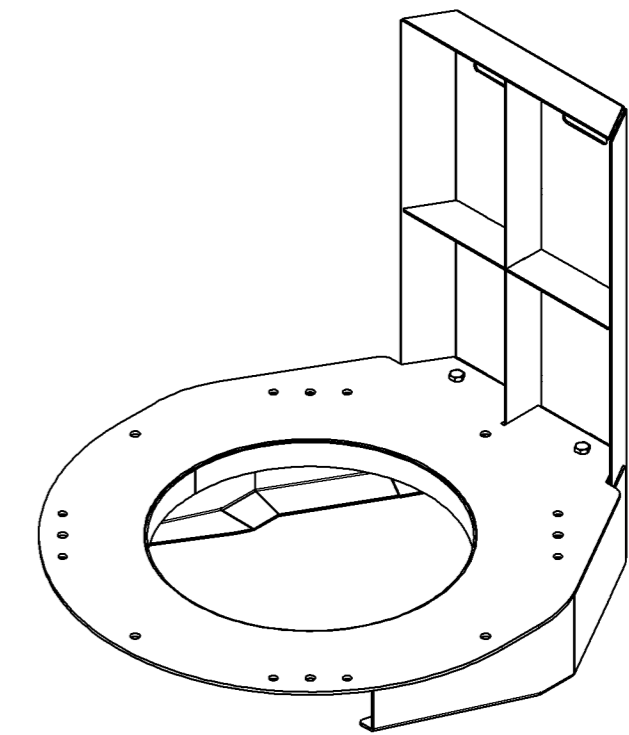


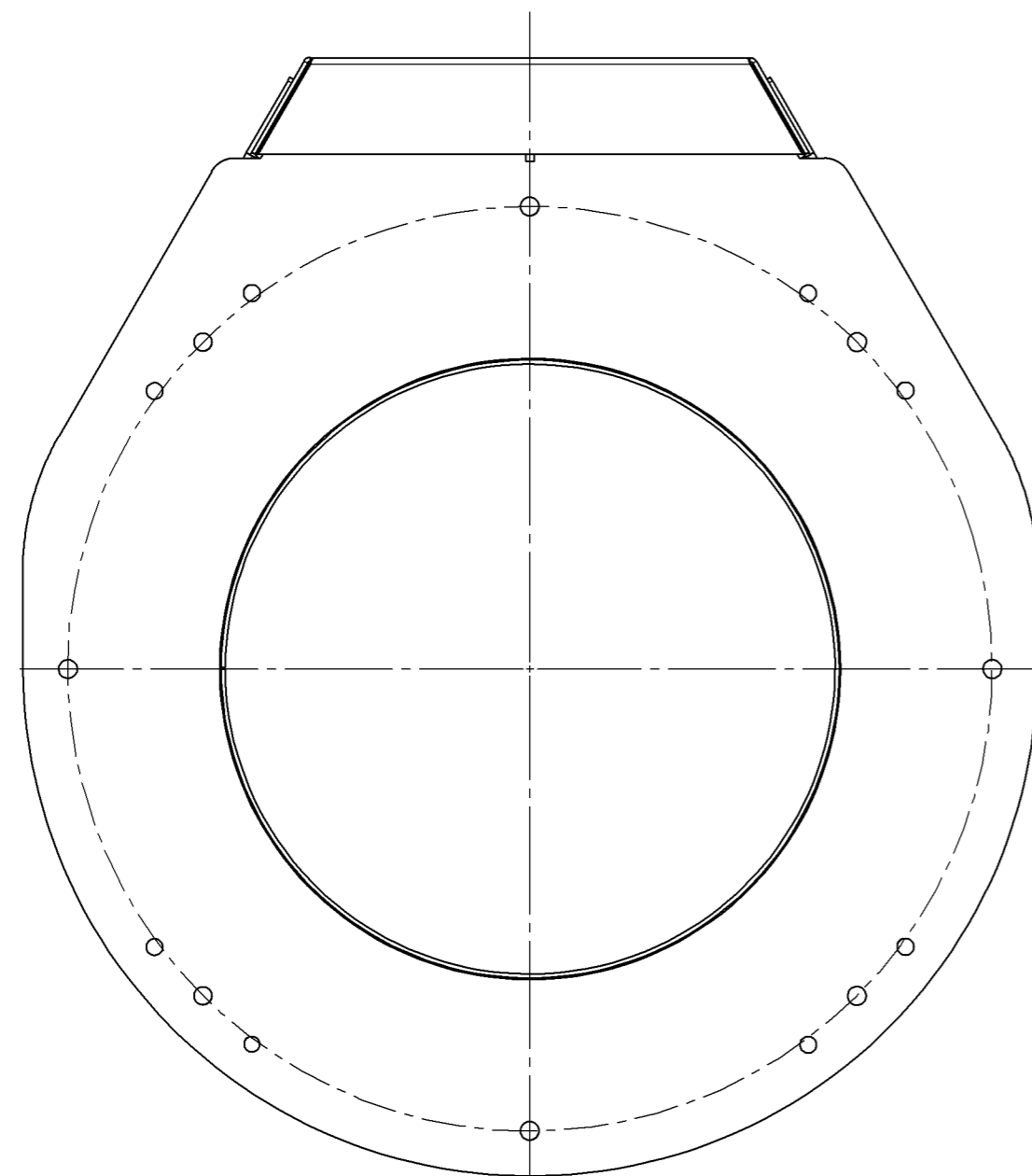
This document is property of Shine AB and may not without our written permission be copied, imparted to a third party or used for any unauthorized purpose.



A-A



Isometric view 1:10



5	2	Locking Nut		DIN 985 M12 fzb	
4	2	Washer		BRB 13 /DIN 125 fzb	
3	2	Screw		M6S M12x25 8.8 fzb	
2	1	Wall rack plate assem	EM460-084		
1	1	Wall bracket assem	EM460-083		
Pos.	Qty.	Description	Drawing/material	Dimension	Ref.std./Supl./Art./Note
		Surface conditioning	Heat treatment	Asm.	Scale
General tolerance SS-ISO 2768		General roughness, Ra			1:5
Drawn	041222	Sign	JSg	Denomination	
Check		Sign		Wall Rack assem	
				Emma	
<b>shine</b>				Drawing nr.	Sheet 1 of 1 Mod.
				EM460-082	